

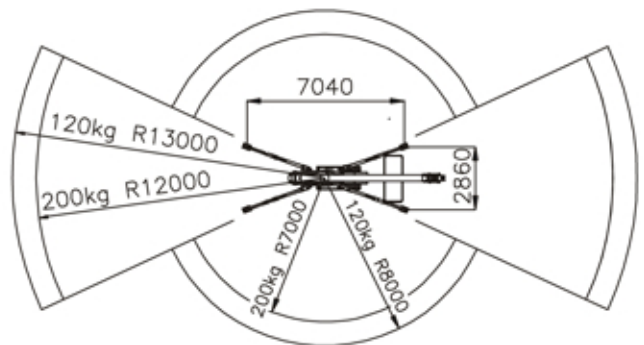
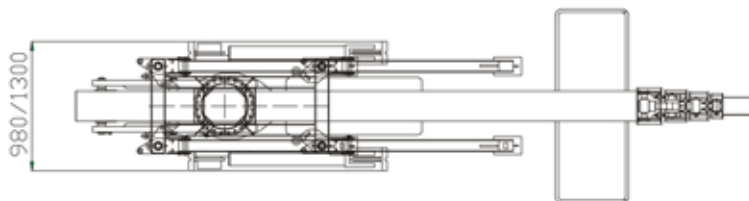
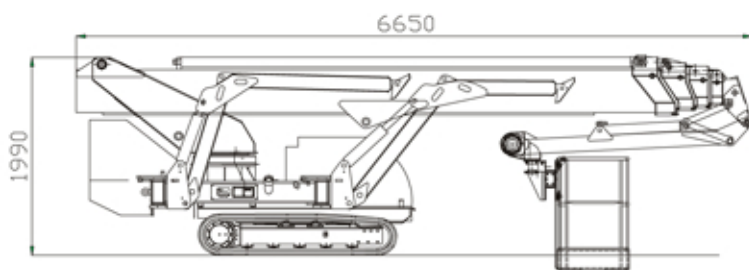
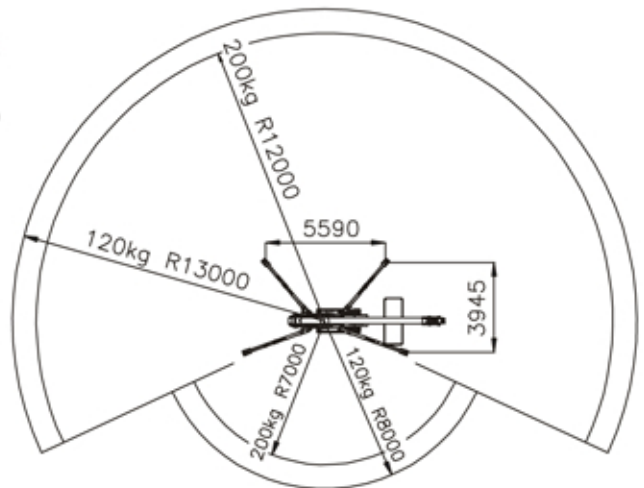
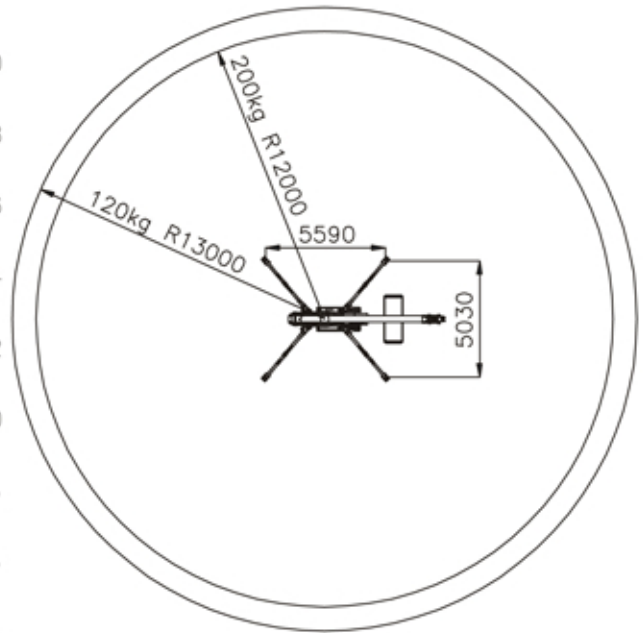
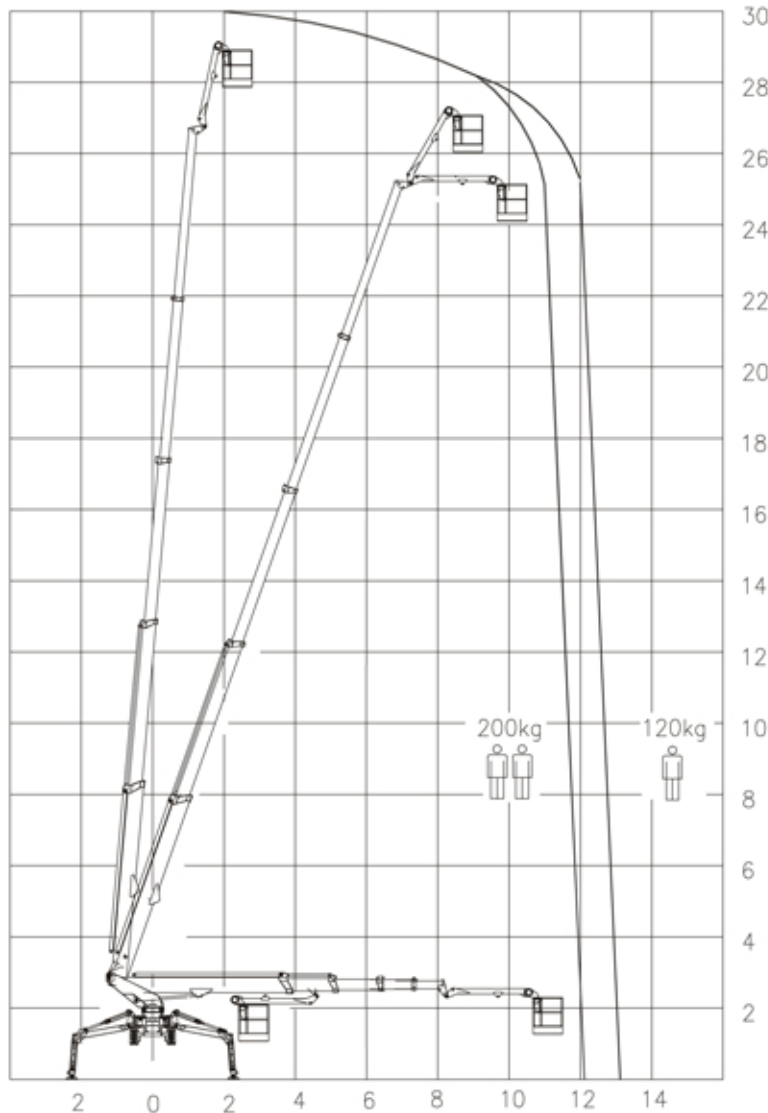
# The new RAGNO generation

## RAGNO TSJ 30.1



30m	13m	230kg	175°	540°	180x70cm	90°+80°	2,8-4,8m	18%	
40%	1,7km/h	4650kg	29kN	2,30kN/m2	3,75kN/m2	980mm	6700mm	1990mm	

# RAGNO TSJ 30.1/C



**Palazzani**  
INDUSTRIE

25050 PADERNO F.C. (BS) - ITALY  
Tel: ++39 030 6857073 – Fax: ++39 030 657079  
www.palazzani.it – platforms@palazzani.it

COMPANY WITH QUALITY MANAGEMENT  
SYSTEM CERTIFIED BY DNV  
= ISO 9001:2008 =

NC 360 A 13