

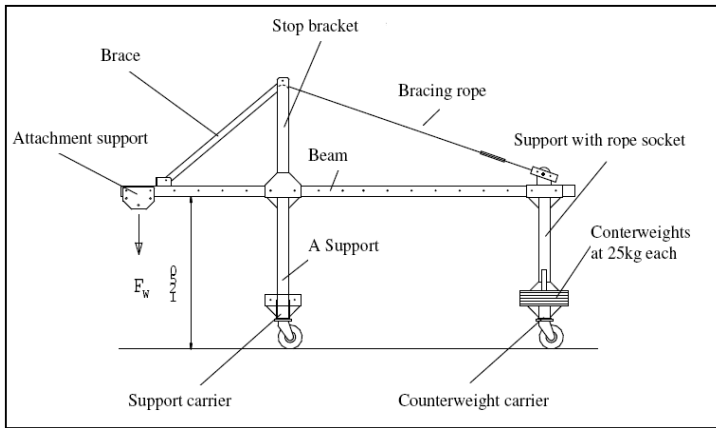
# GEDA<sup>®</sup>-AB 650

## Suspended Working Platform

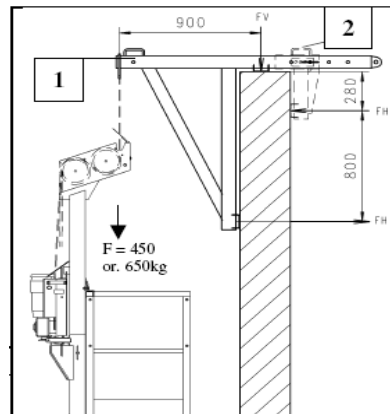
made  
in  
Germany



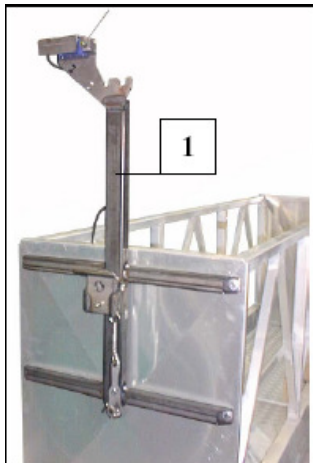
- Automatic levelling and limit switches
- Easy to store weight of winch just 55 kg
- Overload protection
- Safety brake in case of rope failure
- Over speed brake included
- Possible enlargement up to 14 m length
- 1 central control
- Power socket 230 V
- Payload up to 1,000 kg
- Height up to 180 m (Further lengths upon request)
- High quality product designed and manufactured in Germany
- Lots of accessories available



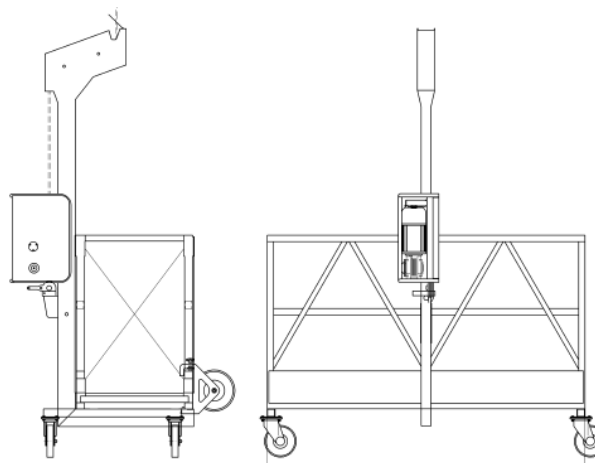
**Boom DA6**



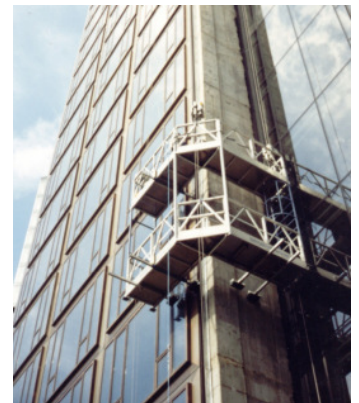
**Parapet clamp**



**Side winch support**



**C-bracket with winch support**



**Corner use/two floor**

Technical data:

**Type:**

- Winch traction force
- Weight of winch
- Voltage
- Current input (per winch)
- Max. starting current (per winch)
- Motor speed
- Output (per winch)
- Hoisting speed
- Duty cycle (DC)
- Protective class of motor
- Noise emission values  
(The measuring uncertainty constant is 4 dB (A))
- Basis for calculation
- Release speed of cable breakage safeguard

**GEDA AB 450**

450kg

**GEDA AB 650**

650kg

55kg  
400V/50Hz  
3.0A  
approx. 14.5A  
2800 1/min.  
1.4kW  
8m/min  
60%  
IP 54  
L<sub>PA</sub> < 85dB (A)

EN 108  
approx. 20m/min

**Rope:**

- Nominal diameter
- Minimum breaking strength

according to EN 12385-4;  
8.3mm  
51.00kN